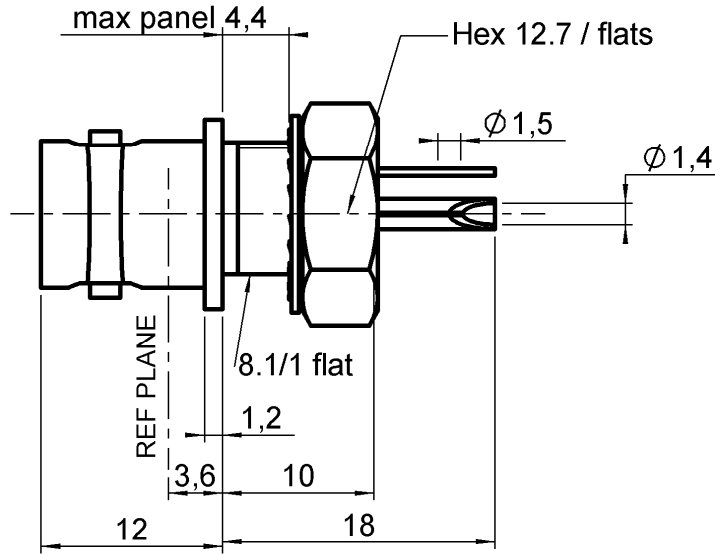


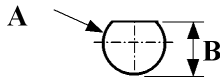
INSULATED BULKHEAD JACK RECEPTACLE
FR. MOUNT. WITH SOLD. POT CONT.+TAG-P100

R141.574.161

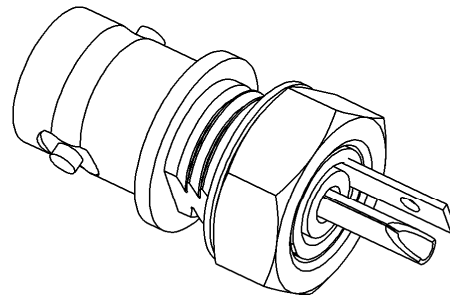
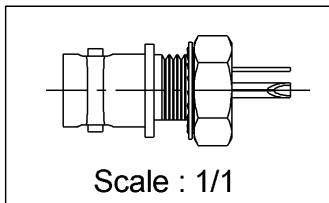
Series : **BNC-COM**



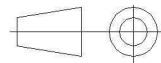
PANEL CUT OUT



mm		
	Maxi	mini
A	9.7	9.6
B	8.9	8.8



All dimensions are in mm.



COMPONENTS	MATERIALS	PLATING (µm)
BODY	NORYL	-
CENTER CONTACT	BRASS	GOLD 0.2 OVER NICKEL 2
OUTER CONTACT	BRASS	NICKEL 2
INSULATOR	NORYL	-
GASKET	-	-
OTHERS PARTS	-	-
-	-	-
-	-	-

Issue : 0907 D

In the effort to improve our products, we reserve the right to make changes judged to be necessary.



INSULATED BULKHEAD JACK RECEPTACLE
FR. MOUNT. WITH SOLD. POT CONT.+TAG-P100

R141.574.161

Series : **BNC-COM**

PACKAGING

Standard	Unit	Other
100	'W' option	Contact us

SPECIFICATION

ELECTRICAL CHARACTERISTICS

Impedance		50 Ω
Frequency		0-1.5 GHz
VSWR	1.08 +	0,0060 x F(GHz) Maxi
Insertion loss		.025* √F(GHz) dB Maxi
RF leakage	- (57 - F(GHz)) dB Maxi
Voltage rating		500 Veff Maxi
Dielectric withstanding voltage		1500 Veff mini
Insulation resistance		5000 MΩ mini

ENVIRONMENTAL

Operating temperature	-35/+70 ° C
Hermetic seal	NA Atm.cm3/s
Panel leakage	NA

OTHER CHARACTERISTICS

Assembly instruction

Others :

* Coaxial Transmission Line Only

MECHANICAL CHARACTERISTICS

Center contact retention		
Axial force – Mating end	15	N mini
Axial force – Opposite end	15	N mini
Torque	NA	N.cm mini
Recommended torque		
Mating	NA	N.cm
Panel nut	80	N.cm
Mating life	100	Cycles mini
Weight	4,7700	g

Issue : 0907 D

In the effort to improve our products, we reserve the right to make changes judged to be necessary.

RADIALL 